

## ST 2000 : Gauge & Absolute Pressure Transmitter

*"The economical pressure solution with embedded high features"*



INDUSTRIAL AUTOMATION & CONTROL



- **ACCURACY : 0,2%**
- **0-1 TO 0-460 BAR GAUGE PRESSURE**
- **0-1 TO 0-10 BAR ABSOLUTE PRESSURE**
- **CERAMIC SENSOR**
- **TEMPERATURE COMPENSATED**
- **LARGE LCD INDICATOR**
- **TWO PUSHBUTTONS CONFIGURATION**
- **INTRINSICALLY SAFE**
- **COMPACT AND LIGHTWEIGHT**
- **LOW PRICE**

The model ST 2000 pressure transmitter is suitable for almost any application in which measurement value is priority. The transmitter accurately measures and indicates gauge or absolute pressure with ranges from 0 to 460 Bar.

A ceramic sensor is combined with microprocessor-based electronics to provide two wire 4-20 mA output signal proportional to measured variable.

The microprocessor enhances accuracy by compensating the signal for the temperature effects of sensor and for device non-linearity.

The integral LCD display with 4 digits 18.5 mm high indicates the measured pressure in bar or percentage as well as the temperature of the sensor.

Transmitter is totally configurable with the aid of the LCD indicator and two pushbuttons, without the need for reference pressure nor a hand-held terminal nor a PC.

The ST 2000 Pressure Transmitter is designed as a direct replacement for conventional analogue transmitters and indicators. It uses the existing transmitter signal lines for power and signal transmission.

On request can be supplied with flush mounted sensor for food or pulp & paper applications.

**PRESSURE RANGES, SPAN AND ZERO LIMITS**

TRANSMITTER MODEL	NOMINAL RANGE (bar)	MINIMUM SPAN (bar)	MAXIMUM SPAN (bar)	Lower Range–Upper Range Limits (bar)	OVER-PRESSURE LIMIT (bar)
<b>GAUGE</b>					
STG20F	0 - 2	0,2	3,3	-1 to 2,3	7
STG20G	0 - 5	0,5	6,75	-1 to 5,75	12
STG20H	0 - 10	1	12,5	-1 to 11,5	25
STG20K	0 - 20	2	24	-1 to 23	50
STG20L	0 - 50	5	58,5	-1 to 57,5	120
STG20M	0 - 100	10	116	-1 to 115	250
STG20N	0 - 200	20	231	-1 to 230	500
STG20P	0 - 400	40	461	-1 to 460	600
<b>ABSOLUTE</b>					
STA201	0 - 2	0,2	2,3	0 to 2,3	7
STA202	0 - 5	0,5	5,75	0 to 5,75	12
STA203	0 - 10	1	11,5	0 to 11,5	25

**GENERAL SPECIFICATIONS**

Output signal	4-20mA (two wire)
Supply voltage	11.1-30 Vdc
Loop Resistance	0 -844 ohms with 30 Vdc
Display	4 digit LCD with 18.5 mm high characters 5 symbols ( bar, mbar, %, psi, sec ) + sensor temp
Damping	Digital damping adjustable from 0 to 51 seconds

**OPERATING CONDITIONS**

Temperature	Ambient : -20 to +80°C at temperature reference of 23°C Process fluid : -20 to +80°C / +130°C with diaphragm Handling and Storage : -20 to +90°C LCD contrast : -10 to +65°C
Humidity	0 to 100%RH

**PERFORMANCES\***

Accuracy	±0,2% of Nom. Range (includes linearity ,hysteresis and repeatability )
Thermal effect	Zero: ±0,02%/ °C of Nom. Range Span: ±0,02%/ °C of Calibrated Span
Supply voltage effect	Negligible between 11.1 and 30 Vdc

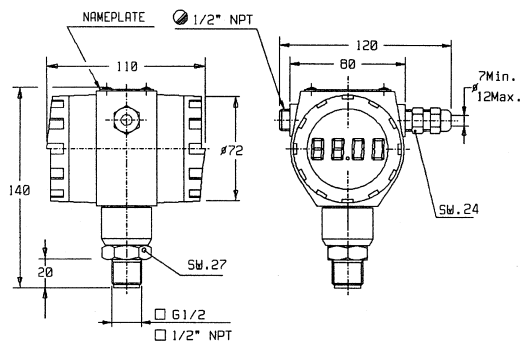
\*within temperature range 0 to 60°C

**PHYSICAL and APPROVAL**

Wetted Parts	Alumina, 316SS, Viton
Electronic Housing	Low cooper aluminum, epoxy resin coated
Environmental protection	IP66 IEC Against dust, sand, sea water- Tropicalization DIN 50.015
Process connections	1/2" ANSI B2.1 (NPT-F), G 1/2" UNI / ISO 228/1, 1/2" ANSI B2.1 (NPT-M), G 1/2" UNI / ISO 228/1, G 1" UNI / ISO 228/1, Union nut 65x1/6, Union nut 78 x 1/6, Clamp 1 1/2", Clamp 2"
Electrical connections	1/2 inch (NPT) and cable gland PG13,5 for 7 to 12 mm cable
Wiring terminal	Accept up to 1.5mm - 14AWG
Mounting	Direct on process pipe, electronic housing rotation adjustment
Net weight	0,85 Kg
EMC conformity	89/336/EEC directive
Electrical classification	Intrinsic safety certification INERIS EEx ia IIB T4/T5/T6

**ACCESSORIES AND OPTIONS**

Mounting bracket	Carbon steel (zinc plated) for 50 mm pipe
Process connection adapter	For G 1/2 A ISO228/1M
Flush sensor	Contact Factory



Distributed by :



**Industrial Measurement and Control**

<http://europe.iac.honeywell.com>

Northern Europe and Southern Africa: Honeywell Ltd., Arlington Business Park, Bracknell, Berkshire, RG21 1EB, UK - Tel:[44] 1344 656000

Central Europe: Honeywell A.G., Kaiserleistrße 39, D-63067 Offenbach, Germany - Tel: [49] 69-8064-0

Western and Southern Europe: Honeywell Europe S.A., 3 Avenue de Bourget, B1140 Brussels, Belgium - Tel: [32-2] 728 2611

Eastern Europe: Honeywell spol s.r.o., Budejovicka 1, 140 21 Prague 4, Czech Republic - Tel: [420-2] 6112-3434

Middle East: Honeywell Middle East Ltd., Khalifa Street, Sheikh Faisal Building, Abu Dhabi, U.A.E. - Tel: [9712] 272533

Asia: Honeywell Asia Pacific Inc., Honeywell Building, 17 Changi Business Park, Central 1, Singapore 486073 – Tel : [65] 355-2828

Japan: Honeywell Asia Pacific Inc., Totate International Bldg, 2-12-19 Shibuya Shibuya-ku, Tokyo150, Japan –Tel : [81-3] 3486-1611