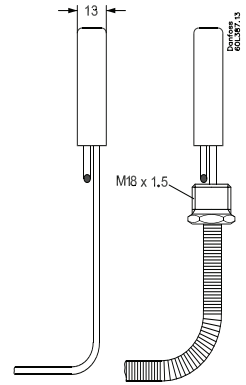
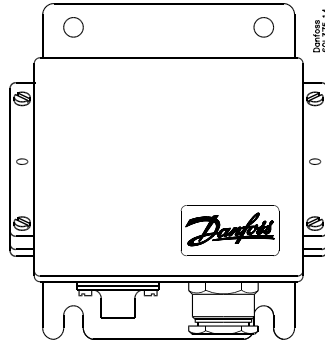
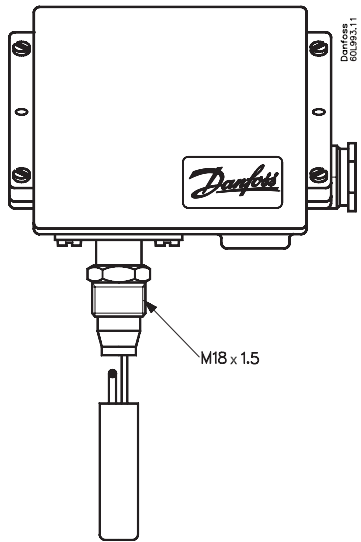


Installation guide

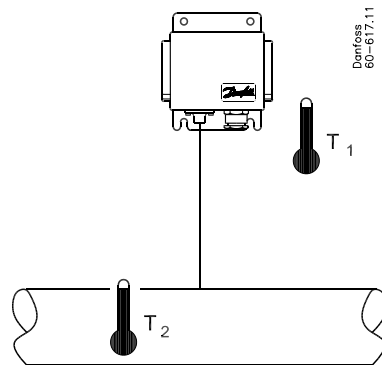
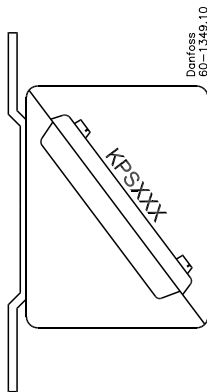
Thermostat

Types KPS 76 – KPS 83

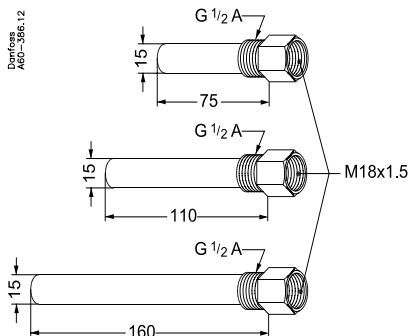
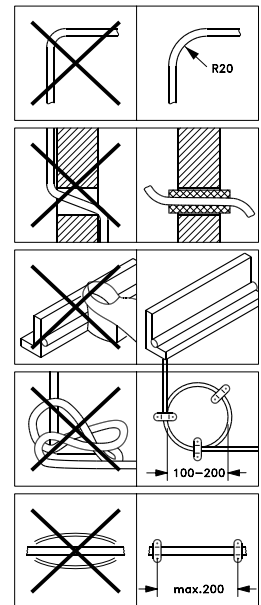
060R9301



060R9301

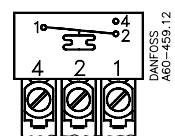


	T ₂ max. [°C]	T ₁ min. [°C]	T ₁ max. [°C]
KPS 76	80	-40	70
KPS 77	130		
KPS 79	200		
KPS 80	220		
KPS 81	250		
KPS 83	300		

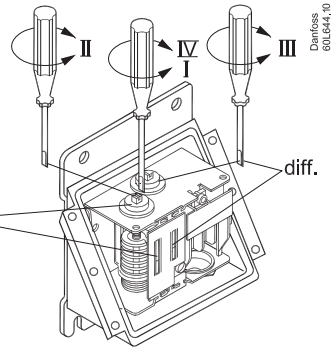
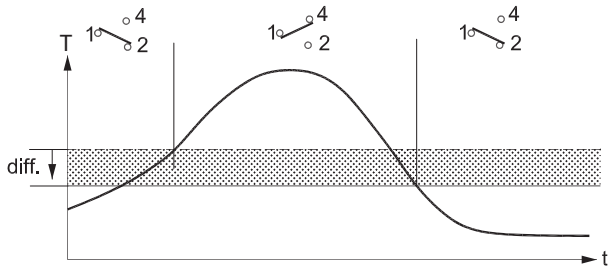


L [mm]	Brass	St.18/8
75	060L326266	-
110	060L327166	060L326866
160	060L326366	060L326966

For more types please refer to data sheet.



10(6) A, 440 V AC L.R. 50A
220V, 12 W DC PILOT



Type	Code no.	Diff. [°C]
KPS 83	060L313966	18



CAUTION:
 Disconnect power supply before wiring connections are made or service to avoid possible electrical shock or damage to equipment.
 Do never touch live parts with your fingers or with any tool.

