

## DPR100 A/B

### ANALOGUE SCALES PEN AND MULTIPOINT PRODUCT SPECIFICATION SHEET

EN01-6030 06/2003

#### PRODUCT DESCRIPTION

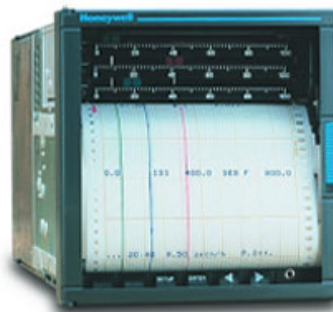
The DPR 100 is a low cost, high functionality 100 mm chart-width microprocessor-based recorder that has been designed for general purpose applications worldwide. Its design meets the requirements of quality, ruggedness, flexibility, ease of use and optimum price/functionality combination.

The DPR100 exists in two versions :

- DPR100 A, a 1 to 3 continuous pen recorder ;
- DPR100B, a 3 or 6 channel multipoint recorder

The DPR100 has been designed for applications in the metal, glass, ceramics and utilities industries, as well as for the new and fast growing markets related to :

- Environmental monitoring
- Health and sanitation
- Food processing
- Pilot plants and laboratories



DPR100 A Analogue Scales  
1 to 3 continuous pens



DPR100 B Analogue Scales  
3 or 6 channel multipoint

#### MAIN FEATURES

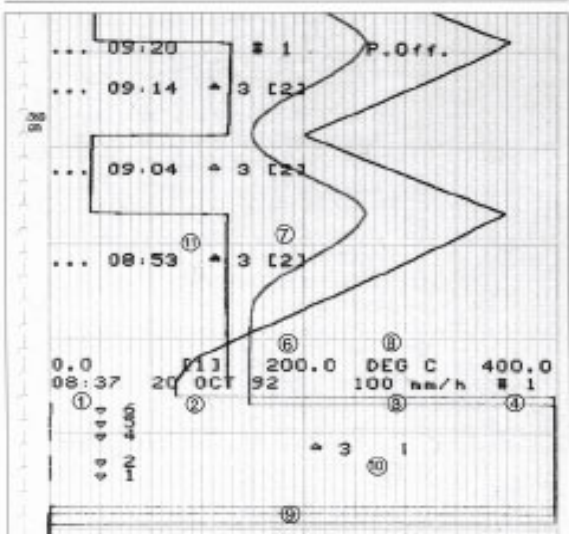
- Microprocessor-based.
- 1, 2 or 3 pens, or 3 or 6 channels multipoint.
- 100 mm chart width (DIN 16230).
- 0.25% accuracy full scale (IEC 873).
- Analogue displays with a wide selection of ranges and scales.
- Fully configurable universal inputs (T/C, RTD, High level).
- Roll or fan fold chart paper.
- Chart documented with date, time, range, engineering unit, chart speed, identification number, alarm set-points and events.
- Up to 6 alarm relay outputs (Pen:2 alarm set-points per pen, Mpt:1 alarm set-point per channel)
- Up to 2 optional logic inputs for event recording, print inhibit and change speed.
- Non-volatile memory.
- 2 configurable chart speeds (Pen : 10 to 6000 mm/h ; Mpt : 10 to 1500 mm/h).
- Simplified product configuration with prompts printed on the chart.
- Full product configuration by PC software connected by a front jack connector.
- Product calibration to certify input sensor : zero, span adjustments per channel.
- Universal power supply : 85 to 264 VAC 50/60 Hz, 24 or 48 AC/DC.
- IP54 front protection (IEC 529)
- Permanent operation up to 60 °C (140°F) with chart roll, 50°C (120°F) with fanfold,
- Compact dimensions : 144 x 144 mm x 245 mm (5.67" x 5.67" x 9.7")

#### OPTIONS

- Illuminated chart
- Key lock
- Rear terminal cover
- 24 Vdc 75 mA max. to supply 3 transmitters
- Pen offset compensation
- 2 logic inputs
- 2 or 6 alarms output
- Portable unit

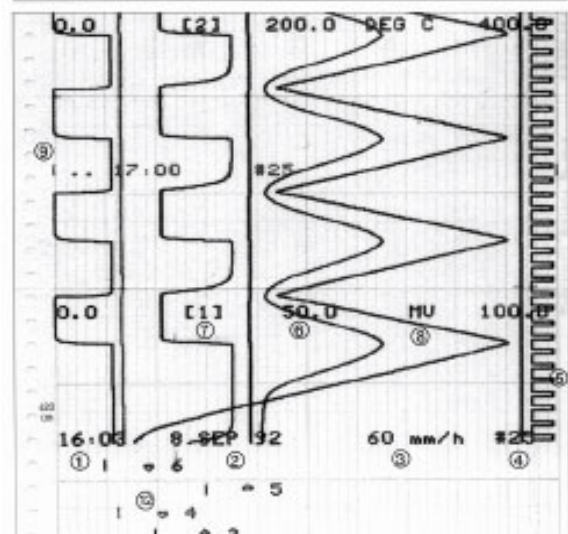
When roll paper is used, at any time more than 90 mm (3.54") of chart is visible. This corresponds to 4 1/2 hours at 20 mm/h (0.79 in/h). When fan folder is used, 35 to 80 mm (1.4 to 3.1") of chart is visible.

PEN



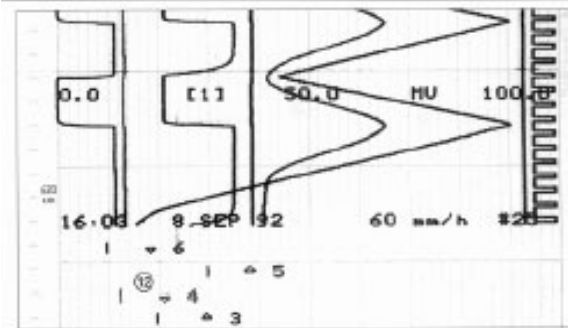
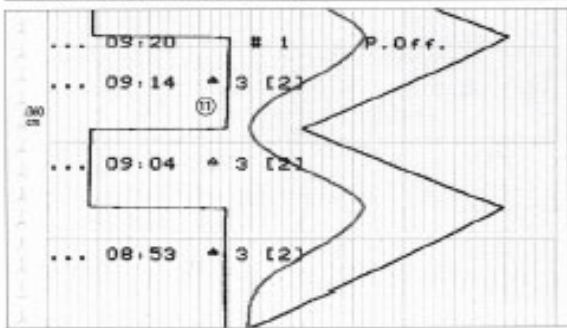
- ① Time
- ② Date
- ③ Chart speed
- ④ Id. number
- ⑤ Events on-off
- ⑥ Range
- ⑦ Channel number
- ⑧ Eng. unit
- ⑨ Chart certification
- ⑩ Alarms setpoints
- ⑪ Alarm high ON
- ⑫ Alarm low OFF

MULTIPOINT



- ① Time
- ② Date
- ③ Chart speed
- ④ Identification number
- ⑤ 2 Events markers
- ⑥ Range
- ⑦ Channel number
- ⑧ Engineering unit
- ⑨ Chart certification

Alarms are indicated clearly.



**DPR100 A Pen Recorder: Writing Speed**

Chart Speed		Chart documentation
Up to 700 mm/hr	Up to 28 in/hr	Chart fully documented
700 to 1000 mm/hr	28 to 40 in/hr	Alarm messages but no chart scales
1000 to 6000 mm/hr	40 to 240 in/hr	Traces only

**DPR100 B Multipoint Recorder: Writing Speed**

#Inputs (See Note 1)	Continuous traces in colour with full chart documentation mm/hr (in/hr)	Dotted traces in colour with full chart documentation	Dotted traces in colour without chart range markings. Alarm messages are printed.
1	10 to 1200 (0.5 to 48)	-	1200 to 1500 (48 to 60)
2	10 to 925 (0.5 to 37)	925 to 1000 (37 to 40)	1000 TO 1500 (40 TO 60)
3	10 to 775 (0.5 to 31)	775 to 1000 (31 to 40)	1000 TO 1500 (40 TO 60)
4	10 to 650 (0.5 to 26)	650 to 1000 (26 to 40)	1000 TO 1500 (40 TO 60)
5	10 to 550 (0.5 to 22)	550 to 1000 (22 to 40)	1000 TO 1500 (40 TO 60)
6	10 to 475 (0.5 to 19)	475 to 1000 (19 to 40)	1000 TO 1500 (40 TO 60)
7	10 to 400 (0.5 to 16)	400 to 1000 (16 to 40)	1000 TO 1500 (40 TO 60)
8	10 to 350 (0.5 to 14)	350 to 1000 (14 to 40)	1000 TO 1500 (40 TO 60)

Note: Number of traces: up to 6 analogue inputs and 4 digital event traces.

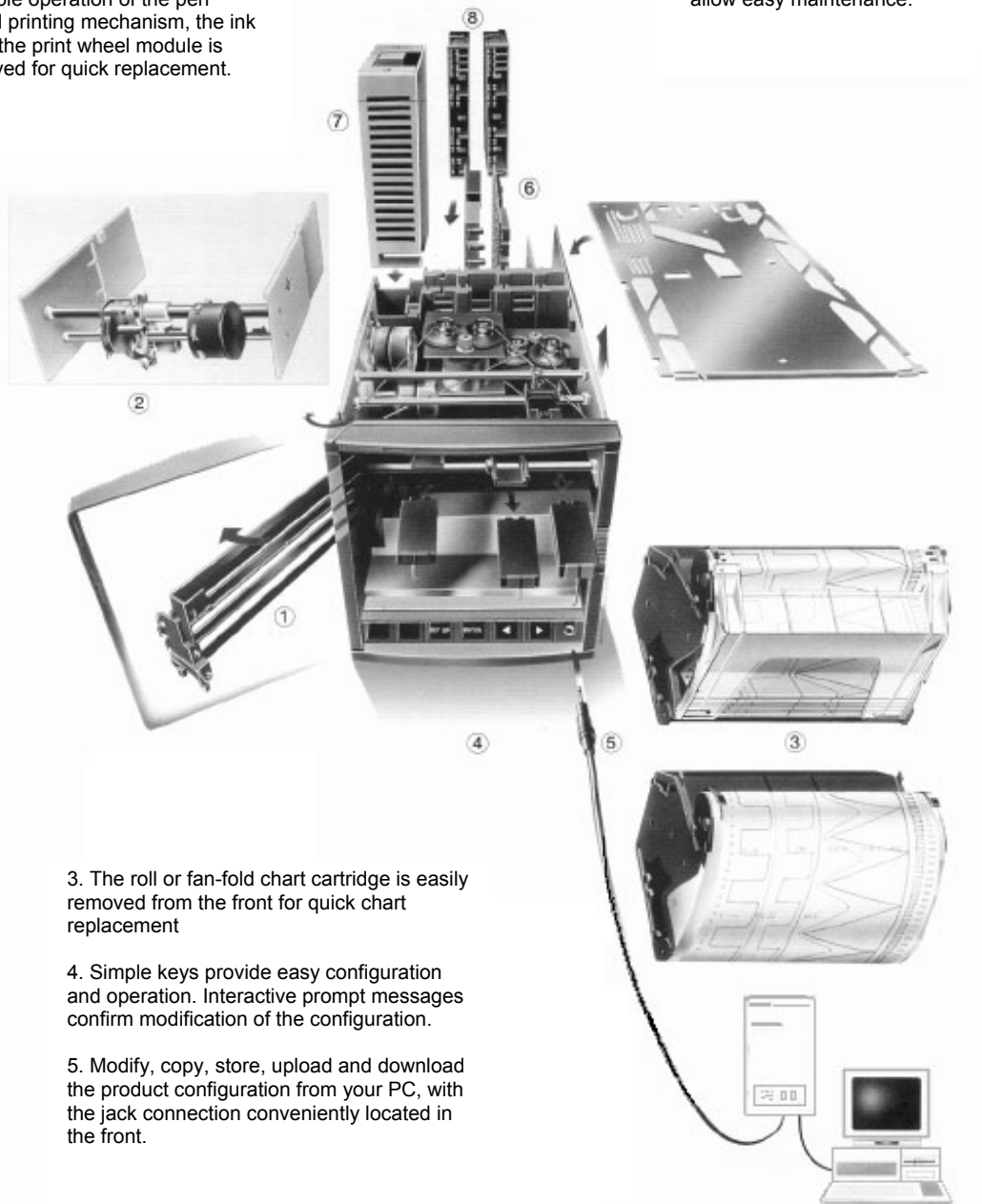
1. Process data is clearly displayed on analogue linear scales. Each "thin line" index displays precise values in colours that are visible up to 5 meters from the recorder.

2. The compact pen carriage module and high quality servo-motor chart drive ensure reliable operation of the pen carriage and printing mechanism, the ink cartridge or the print wheel module is easily removed for quick replacement.

6. The universal input card module with 2 logic and 3 analogue inputs reduces configuration time.

7. The universal power supply accepts virtually any AC or DC voltage.

8. The plug-in rear terminal blocks allow easy maintenance.



3. The roll or fan-fold chart cartridge is easily removed from the front for quick chart replacement

4. Simple keys provide easy configuration and operation. Interactive prompt messages confirm modification of the configuration.

5. Modify, copy, store, upload and download the product configuration from your PC, with the jack connection conveniently located in the front.



**Technical data****DPR100 A/B**

<b>Chart speed</b>  Speed setting Stepping chart motor	1 or 2 chart speeds, fully configurable, selected by a logic input, Speed 1 : fully adjustable per step of 1 mm/h (0.04in/hr), within limit Speed 2 : choice as per the model selection guide Pen : 10 to 6000 mm/h (0.5 to 240"/h). Mpt : 10 to 1500 mm/h (0.5 to 60"/h). Resolution 0.12 mm ( 0.005 in)
<b>Alarms (option)</b> Pen 1,2,3 or Mpt 3 CH Mpt (6 CH) Hysteresis Outputs  Rating contact	2 alarm set-points, per channel, (factory set* 1 low, 1 high) 1 alarm set-point per channel, (factory set* high) 0.5% to 99% of Scale (Factory Set at 0.5%) Up to 6 alarm relays output contacts. 1 SPST normally closed contact (may be configured into normally open contact) 2 A, 250 VAC on resistive loads.  * other alarm selections configured using the PC configuration software.
<b>Power supply</b> To transmitters Power consumption	100 to 240 VAC, 50/60 Hz or 24 or 48 VAC/DC (+10-15% nominal) 24 VDC, 50 mA max. (optional) 3 pens & Mpt : 30 VA max.
<b>Clock timer</b> Format Power interruption Accuracy	Year, month, hour, minute can be set Battery backed (10 years time, 3 years off power) ± 10 <sup>-5</sup>
<b>Packaging</b> Weight Front face Depth Front window Front protection Lock Cut out Construction Optional	Pen & Mpt : 3.5 kg (7.7lbs) 144 x 144 mm (5.67" x 5.67") according to DIN 43718 245 mm (9.7") behind panel, including terminals and line protection cover Acrylic IP 54 (IEC 529) Latch or key (DIN 43882-N) DIN 138 X 138 mm (5.43" x 5.43") Silicon-free Chart illumination Rear terminal cover
<b>Mounting</b>	Panel mounting ± 30° from horizontal (DIN 43834)
<b>Wiring</b>	Rear screw terminals. Terminal modules are plugged on the instrument
<b>Writing</b> Pen  Multipoint	1 cartridge per pen, fibre tip, 1400 m (4500ft) of trace per colour (blue, red, green) 1 print wheel, 6 colours, 250m (820ft) of trace per colour (purple, red, black green, blue, brown)
<b>Noise immunity</b>	This product is in conformity with the protection requirements of the following European Council Directives: <ul style="list-style-type: none"> <li>• 73/23/EEC, the Low Voltage Directive and 89/336/EEC, the EMC Directive. Conformity of this product with any other "CE Mark" Directive(s) shall not be assumed.</li> <li>• EMC Classification: EN 50081-2-1993 Electromagnetic Compatibility – General Emission Standard, Part 2: Industrial Environment.</li> <li>• EN 50082-2-1995 Electromagnetic Compatibility – General Immunity Standard, Part 2:Industrial Environment.</li> </ul>

<b>Technical data</b>	<b>DPR100 A/B</b>
-----------------------	-------------------

<b>Safety protection</b>	Complies with EN61010-1 and UL 3121 for process control instrumentation. Pollution Degree 2. Installation Category II
<b>Electrical insulation</b> Input to input  Input to ground Input to line voltage Line voltage to ground Alarm relay to ground Logic input to ground	Test voltage 350 VAC for 1 min (except for RTD input) or 280 VAC with option State Relay Test voltage 1.5 kV AC for 1 minute Test voltage 2.3 kV AC for 1 minute Test voltage 2.3 kV AC for 1 minute Test voltage 2.3 kV AC for 1 minute Test voltage 350 V AC for 1 minute
<b>Temperature</b> Ambient  Storage	0 to 60°C (32 to 140°F) – Roll chart, 0-50°C (32 to 120°F) – Fan fold  -40 to 70°C (-40 to +160°F)
<b>Humidity</b> Roll Fan-fold	10 to 90% RH non-condensing 15 to 80% RH non-condensing
<b>Vibrations</b>	Frequency 10 to 60 Hz, amplitude 0.07 mm; 60 to 150 Hz, acceleration 1 g

<b>Accuracy</b>	<b>DPR100 A/B</b>
-----------------	-------------------

<b>Reference conditions</b> Temperature Humidity Line voltage nominal Source resistance Series mode Common mode Frequency nominal <b>Accuracy</b>	20 °C ± 2 °C (68 °F ± 3 °F) 65 % RH ± 5 % RH ± 1 % 0 ohms 0 V 0 V ± 1 % 0.25% of total span (IEC 873)		
<b>Rated limits and associated drifts</b>	<b>Parameter</b>	<b>Rated limits</b>	<b>Influence on accuracy</b>
	Temperature	0 to 50°C (32 to 120°F)	0.1% per 10°C Cold junction 0.3°C/10°C
	Supply voltage	85 to 264 V AC	No influence
	Source resistance	T/C, mV  RTD	6 micro V per 100Ω of line resistance 1000Ω mm 0.1°C per Ω in each wire balanced leads 40Ω max.
	Humidity	10 to 90% RH at 25°C	0.1 % max.
	Long-term stability		0.1 % per year
	Vibrations	2.5 mm (0.1") at 0 to 14 Hz 1 g at 14 to 250 Hz	
<b>Extreme conditions:</b>			
<b>Operating</b> Temperature Humidity	0 to 60°C (32 to 140°F) 10 to 90% RH non-condensing		
<b>Storage</b> Temperature Humidity	-40 to +70°C (-40 to 158°F) 5 to 95% RH non-condensing		

**Available ranges**

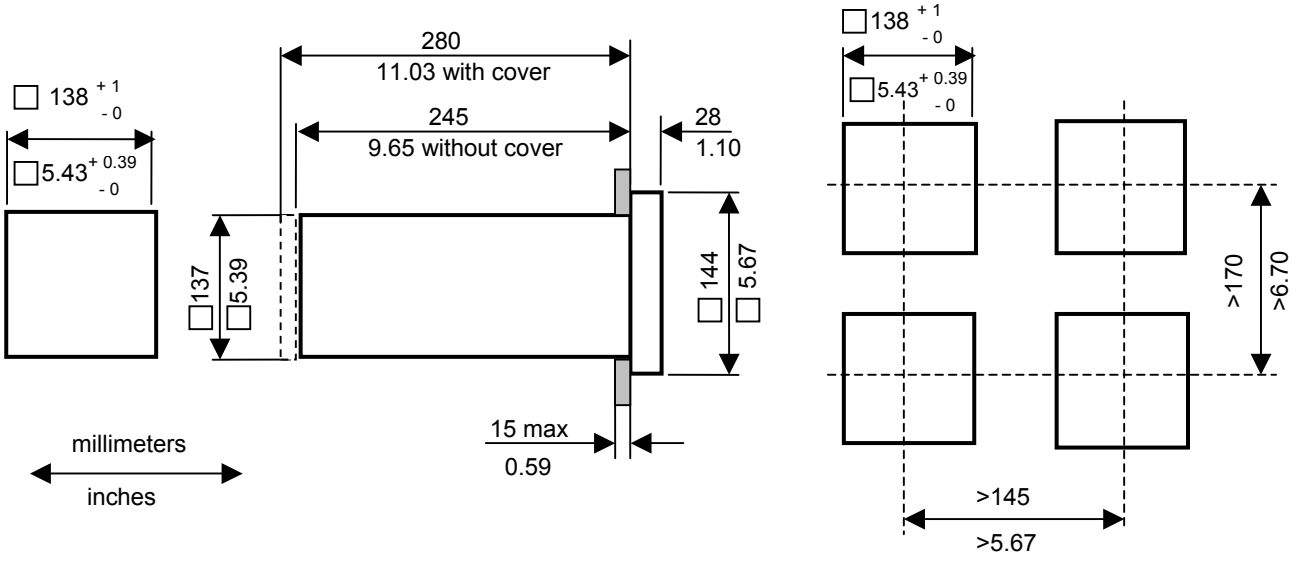
**DPR100 A/B**

<b>Thermocouples</b>	J	°C -50 to +150 0 to 400 0 to 800	°F -100, 0, 300 0 to 800 0 to 1500
	K	0 to 400 0 to 800 0 to 1200 0 to 1400	0 to 800 0 to 1500 0 to 2400 0 to 2500
	Nicrosil-Nisil (N)	0 to 400 0 to 800 0 to 1200 0 to 1400	0 to 800 0 to 1500 0 to 2400 0 to 2500
	S	0 to 1600	0 to 3000
	R	0 to 1600	0 to 3000
	T	-100 to +200 0 to 150 50 to 150	-150 to +400 0 to 300 100 to 300
	Note : (provision to accept T/C input for remote compensation box at fixed temperature of 50°C or 60°C)		
<b>RTD's</b>	Pt 100  (Alpha = 0.00385)	°C -50 to +50°C -50 to +150 0 to 100 -200 to +200 0 to 400	°F -60 to +140°F 100, 0, +300 0 to 200 -300 to +400 0 to 800
<b>mV and Volt</b>	0 to 10 mV 0 to 20 mV 0 to 50 mV 10 to 50 mV 0 to 100 mV		0 to 1 V 0 to 5 V 1 to 5 V 0 to 10 V
<b>mA</b>	0 to 20 mA or 4 to 20 mA linear 4 to 20 mA SQRT input resistor 250 ohms required		



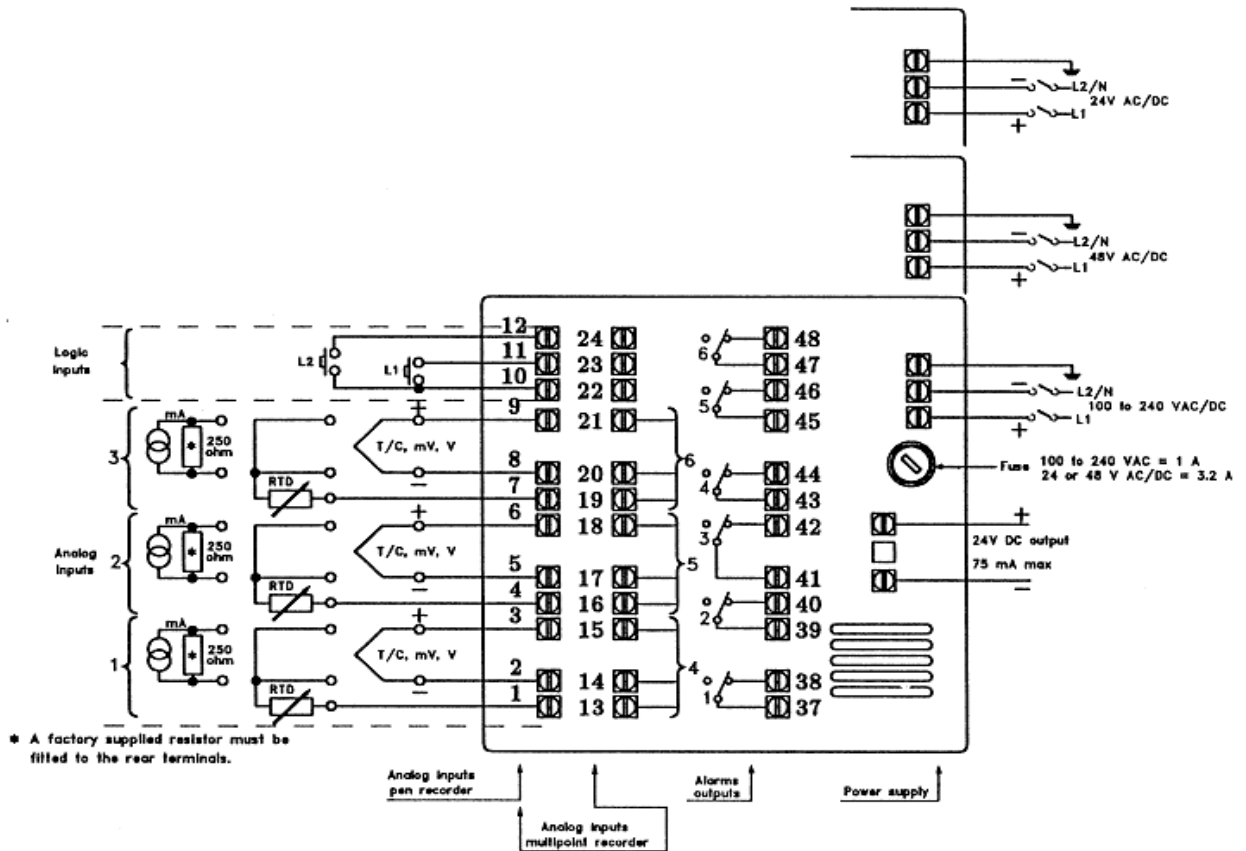
# DIMENSIONS

DPR100 A/B



# CONNECTIONS

DPR100 A/B



## Sales and Service

For application assistance, current specifications, pricing, or name of the nearest Authorized Distributor, contact one of the offices below.

## Warranty/Remedy

Honeywell warrants goods of its manufacture as being free of defective materials and faulty work-manship. Contact your local sales office of warranty information. If warranted goods are returned to Honeywell during the period of coverage, Honeywell will repair or replace without charge those items it finds defective. **The foregoing is Buyer's sole remedy and is in lieu of all other warranties, expressed or implied, including those of merchantability and fitness for a particular purpose.** Specifications may change without notice. The information we supply is believed to be accurate and reliable as of printing. However, we assume no responsibility for its use. While we provide application assistance personally, through our literature and the Honeywell website, it is up to the customer to determine the suitability of the product in the application.

### ASIA PACIFIC

#### Control Products

**Asia Pacific Headquarters**  
Phone: +(65) 6355-2828  
Fax: +(65) 6445-3033

#### Australia

Honeywell Limited  
Phone: +(61) 2-9370-4500  
FAX: +(61) 2-9370-4525  
Toll Free 1300-36-39-36  
Toll Free Fax: 1300-36-04-70

#### China – PRC - Beijing

Honeywell China Inc.  
Phone: +(86-10) 8458-3280  
Fax: +(86-10) 8458-3102

#### China – PRC - Shanghai

Honeywell China Inc.  
Phone: (86-21) 6237-0237  
Fax: (86-21) 6237-1237

#### China - Hong Kong S.A.R.

Honeywell Ltd.  
Phone: +(852) 2953-6412  
Fax: +(852) 2953-6767

#### China – PRC - Chengdu

Honeywell China Inc.  
Phone: +(86-28) 6786-348  
Fax: +(86-28) 6787-061

#### China – PRC - Guangzhou

Honeywell China Inc.  
Phone: +(86-20) 3879-1169  
Fax: +(86-20) 3879-1269

#### China – PRC - Shenzhen

Honeywell China Inc.  
Phone: +(86) 755-518-1226  
Fax: +(86) 755-518-1221

#### Indonesia

Honeywell Indonesia Pte Ltd.  
Phone: +(62) 21-535-8833  
FAX: +(62) 21-5367 1008

#### India

TATA Honeywell Ltd.  
Phone: +(91) 20 687 0445/0446  
Fax: +(91) 20 681 2243/ 687 5992

#### Japan

Honeywell Inc  
Phone: +(81) 3 5440 1425  
Fax: +(81) 3 5440 1368

#### South Korea

Honeywell Korea Co Ltd  
Phone: +(822) 799-6167  
Fax: +(822) 792-9013

#### Malaysia

Honeywell Engineering  
Sdn Bhd  
Phone: +(60-3) 7958-4988  
Fax: +(60-3) 7958-8922

#### New Zealand

Honeywell Limited  
Phone: +(64-9) 623-5050  
Fax: +(64-9) 623-5060  
Toll Free (0800) 202-088

#### Philippines

Honeywell Systems  
(Philippines) Inc.  
Phone: +(63-2) 636-1661 /1662  
Fax: +(63-2) 638-4013

#### Singapore

Honeywell South East  
Asia  
Phone: +(65) 6355-2828  
Fax: +(65) 6445-3033

#### Thailand

Honeywell Systems  
(Thailand) Ltd.  
Phone: +(662) 693-3099  
FAX: +(662) 693-3085

#### Taiwan R.O.C.

Honeywell Taiwan Ltd.  
Phone: +(886-2) 2245-1000  
FAX: +(886-2) 2245-3242

## EUROPE

#### Austria

Honeywell Austria GmbH  
Phone: +43 (316)400123  
FAX: +43 (316)40017

#### Belgium

Honeywell SA/NV  
Phone:  
+31(0)205656999  
FAX: +31(0)165330746

#### Bulgaria

Honeywell EOOD  
Phone: +(359) 2 79 40 27  
FAX: +(359) 2 79 40 90

#### Czech Republic

Honeywell spol. s.r.o.  
Phone: +420-54324-5014  
FAX: +420-54324-5011

#### Denmark

Honeywell A/S  
Phone: +(45) 39 55 55 55  
FAX: +(45) 39 55 55 58

#### Finland

Honeywell OY  
Phone: +358 (3) 2727625  
FAX: +358 (3) 2728600

#### France

Honeywell SA  
Phone: +33 (0)1 60198075  
FAX: +33 (0)1 60198201

#### Germany

Honeywell AG  
Phone: +49 (69)8064336  
FAX: +49 (69)806497336

#### Hungary

Honeywell Kft.  
Phone: +36-1-451 4335  
FAX: +36-1-451 4343

#### Italy

Honeywell S.p.A.  
Phone: +39 02 9214 6503  
FAX: +39 0292146377

#### The Netherlands

Honeywell B.V.  
Phone: +31(0)205656999  
FAX: +31(0)165330746

#### Norway

Honeywell A/S  
Phone: (45) 39 55 55 55

#### Poland

Honeywell Sp. zo.o  
Phone: +48-22-6060900  
FAX: +48-22-6060901

#### Portugal

Honeywell Portugal Lda  
Phone: +351 21 424 5000  
FAX: +351 21 424 50 99

#### Romania

Honeywell Bucharest  
Phone: 40212110076  
FAX: +40 (40212103375)

#### Commonwealth of Independent States (CIS)

Z.A.O. Honeywell  
Phone: +(7 095) 796 98 36  
FAX: +(7 095) 796 98 93

#### Slovak Republic

Honeywell s.r.o.  
Phone: +421-2-58247 410  
FAX: +421-2-58247 415

#### Spain

Honeywell S.A.  
Phone: +34 (0)91313 61 00  
FAX: +34 (0)91313 61 30

#### Sweden

Honeywell AB  
Phone: +(46) 8 775 55 00  
FAX: +(46) 8 775 56 00

#### Switzerland

Honeywell AG  
Phone: +41 18552448  
FAX: +(41) 1 855 24 45

#### Turkey

Honeywell Turkey A.S.  
Phone: +90 216 575 6600  
FAX: +90 216 575 6637

#### United Kingdom

Honeywell Control Systems  
Ltd  
Phone: +(44) 1698 481730  
FAX: +(44) 1698 481276

## MIDDLE EAST

#### Abu Dhabi U A E

Middle East Headquarters  
Honeywell Middle East Ltd  
Phone: +971 2 4041220  
FAX: +971 2 4432536

#### Sultanate of Oman

Honeywell & Co Oman LLC  
Phone: +968 701397  
FAX: +968 787351

#### Egypt

Honeywell Egypt Ltd  
Phone: +202 4514460 /1/ 2/  
3/ 4/ 5/ 6  
FAX: +2024514467

#### Saudia Arabia

Honeywell Turki Arabia  
Limited  
Phone: +966-3-341-0140  
Fax: +966-3-341-0216

#### Kuwait

Honeywell Kuwait KSC  
Phone: +965 2421327

## AFRICA

#### Mediterranean & African Distributors

Honeywell SpA  
Phone: +39 (02) 250 10 604  
FAX: +39 (02) 250 10 659

#### South Africa (Republic of)

Honeywell Southern Africa  
Honeywell S.A. Pty. Ltd  
Phone: +27 11 6958000  
FAX +27 118051504

## NORTH AMERICA

#### Canada

Honeywell LTD  
Phone: 1-800-737-3360  
FAX: 1-800-565-4130

#### USA

Honeywell  
Control Products,  
International Headquarters  
Phone: 1-800-537-6945  
1-815-235-6847  
FAX: 1-815-235-6545  
E-mail: info.sc@honeywell.com

## LATIN AMERICA

#### Argentina

Honeywell S.A.I.C.  
Phone: +(54-11) 4383-3637  
FAX: +(54-11) 4325-6470

#### Brazil

Honeywell do Brasil & Cia  
Phone: +(55-11) 7266-1900  
FAX: +(55-11) 7266-1905

#### Chile

Honeywell Chile, S.A.  
Phone: +(56-2) 233-0688  
FAX: +(56-2) 231-6679

#### Columbia

Honeywell Columbia, S.A.  
Phone: +(57-1) 623-3239/3051  
FAX: +(57-1) 623-3395

#### Ecuador

Honeywell S.A.  
Phone: +(593-2) 981-560/1  
FAX: +(593-2) 981-562

#### Mexico

Honeywell S.A. de C.V.  
Phone: +(52) 55 5259-1966  
FAX: +(52) 55 5570-2985

#### Peru

Honeywell Peru  
Phone: +(511) 445-2136/1891  
FAX: +(511) 348-3552

#### Puerto Rico

Honeywell Inc.  
Phone: +(809) 792-7075  
FAX: +(809) 792-0053

#### Trinidad

Honeywell Inc  
Phone: +(868) 624-3964  
FAX: +(868) 624-3969

#### Venezuela

Honeywell CA  
Phone: +(58-2) 238-0211  
FAX: +(58-2) 238-3391