

Installation Guide

# Terminal space adaptor for UL 508E conformity

CDP-, BBT-

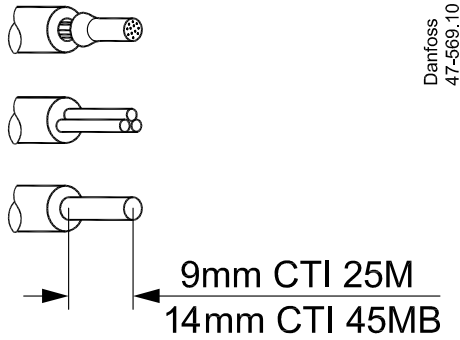
037C3005

037C3005

**Attention:**

To prevent electrical shock, disconnect from power source before installing or servicing.  
Install in suitable enclosure. Keep free from contaminants.

**CE** IEC 60947; EN 60947  
UL 508; CSA 22.2 Part 14



No.2  
T8  
MD = 0.6 NM max.  
(5.3 lb-in)

