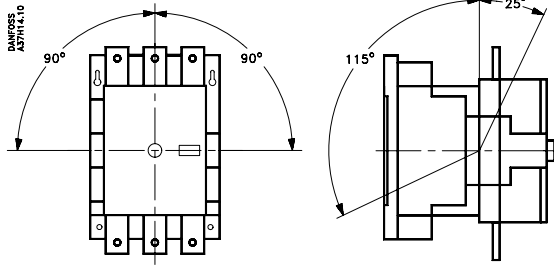
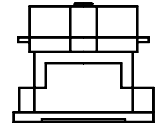
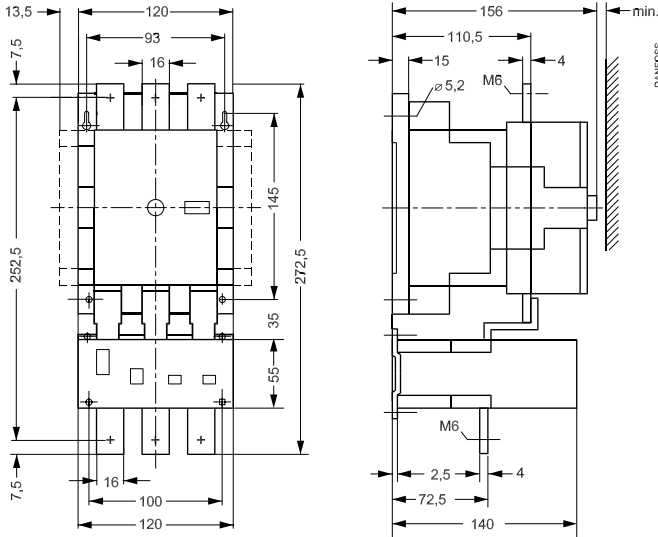
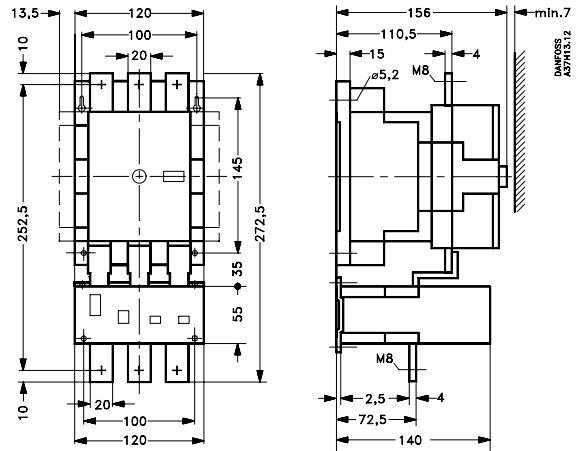


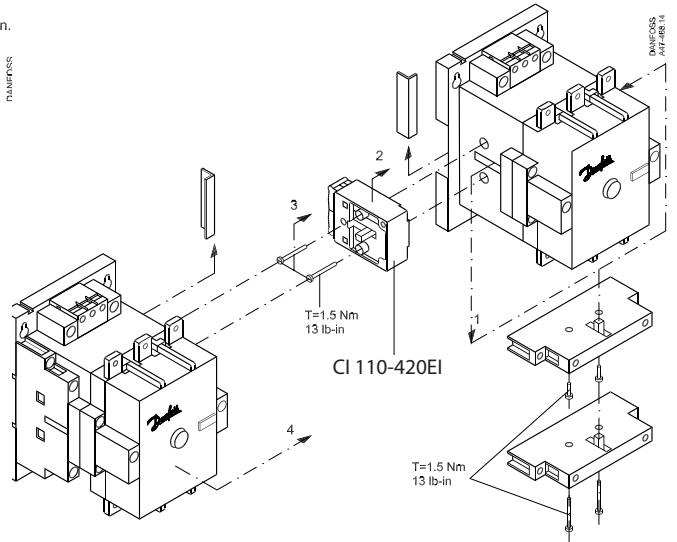
## Contactors CI 110/ CI 141 / CI 180 / TI 180E



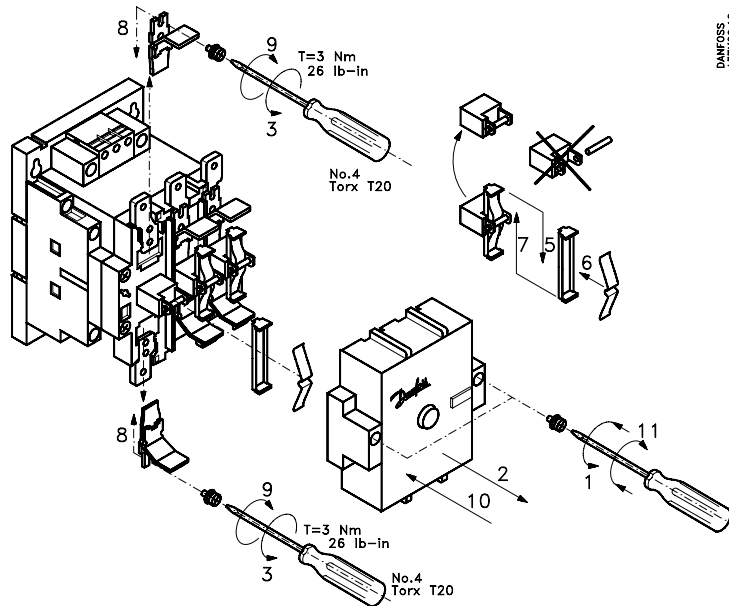
CI 141 / CI 180



CI 110 + TI 180



CI 110-420EI



DANFOSS  
A37H06.12

	①	③	CI 110		CI 141 / 180	
			10 mm	5 mm	13 mm	6 mm
			② T: 9 Nm (80 lb-in)		② T: 22 Nm (195 lb-in)	
<p>Danfoss 37H255.10</p> <p>L1 L2 L3 1 3 5 DANFOSS A47-407.11</p> <p>2 4 6 T1 T2 T3</p>	<p>Danfoss 37H255.10</p> <p>b Ø c s</p>	<p>Danfoss 37H257.10</p> <p>b Ø s</p>	<p>b 20 mm max. Ø 6.1 mm min. c 10 mm max. s 5 mm max.</p>	<p>b 25 mm max. Ø 8.3 mm min. c 12.5 mm max. s 5 mm max.</p>	<p>DIN 46234 B 20 mm max. Ø 6.1 mm min s 5 mm max.</p>	<p>DIN 46234 b 25 mm max. Ø 8.3 mm min. s 5 mm max.</p>
<p>CI 110 037H3244</p>	<p>16-50 mm<sup>2</sup> No.: 6-1/0 AWG</p> <p>1-95 mm<sup>2</sup> 16 - 120 mm<sup>2</sup></p>	<p>3-9 x 20 mm 3-12 x 16 mm</p>	<p>8...10 Nm or 70...90 lb-in.</p>			
<p>13 83 14 84 A1 A2</p> <p>DANFOSS A47-408.11</p>	<p>DANFOSS A47-409.10</p>	<p>DANFOSS A47-405.10</p> <p>2 x 1...4 mm<sup>2</sup> x 1...2.5 mm<sup>2</sup></p> <p>2 x No. 16 AWG ...12 AWG</p>	<p>1.4...2.3 Nm</p> <p>12...20 lb in.</p>			
<p>CI 141 / 180 0373247</p>	<p>16-50 mm<sup>2</sup> 16-120 mm<sup>2</sup></p>	<p>3-9 x 20 mm 3-14 x 20 mm</p>	<p>10...12 Nm or 90...110 lb-in.</p>			
<p>13 83 14 84 A1 A2</p> <p>DANFOSS A47-408.11</p>	<p>DANFOSS A47-409.10</p>	<p>DANFOSS A47-405.10</p> <p>2 x 1...4 mm<sup>2</sup> 2 x 1...2.5 mm<sup>2</sup></p> <p>2 x No. 16 AWG...12 AWG</p>	<p>1.4...2.3 Nm</p> <p>12...20 lb in.</p>			

