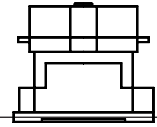


# Instructions

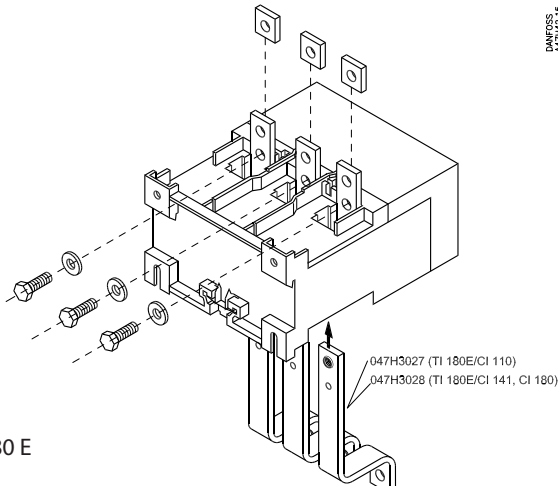
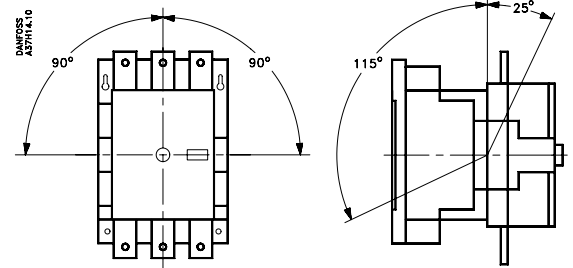
037C3001

037C3001

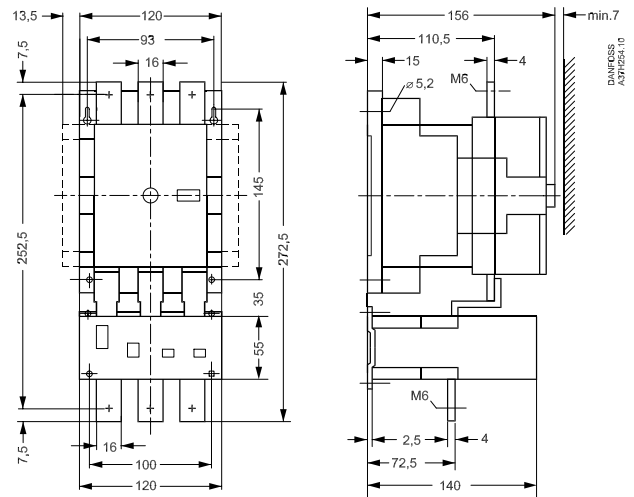
## Contactors CI 110 / TI 180 E



CI 110	Kit		DANFOSS A47-401.10
L1 1 L2 3 L3 5			DANFOSS A47-407.11
2 4 6 T1 T2 T3	CI 110 HU		DANFOSS A47-402.10
		No. 6...2/0 AWG	70...90 lb-in.
<b>037H3244</b>		16-50 mm <sup>2</sup> No.: 6-1/0 AWG	
		16-95 mm <sup>2</sup> No.: 6-3/0 MCM	
		3-9 × 16 mm	8...10 Nm or 70...90 lb-in.
		3-12 × 16 mm	8...10 Nm or 70...90 lb-in.
13 83 14 84			DANFOSS A47-408.11
A1 A2		2 × 1...4 mm <sup>2</sup> 2 × 1...2.5 mm <sup>2</sup>	DANFOSS A47-403.10
		2 × No. 16 AWG...12 AWG	1.4...2.3 Nm  12...20 lb in.



TI 180 E



CI 110 + TI 180

