

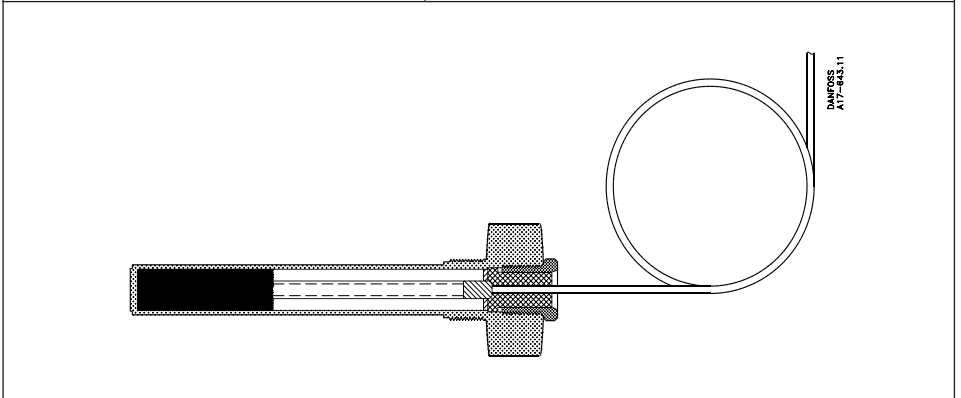
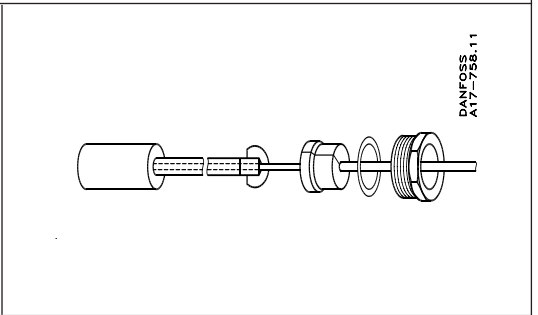
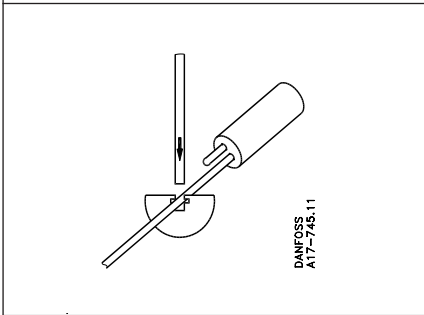
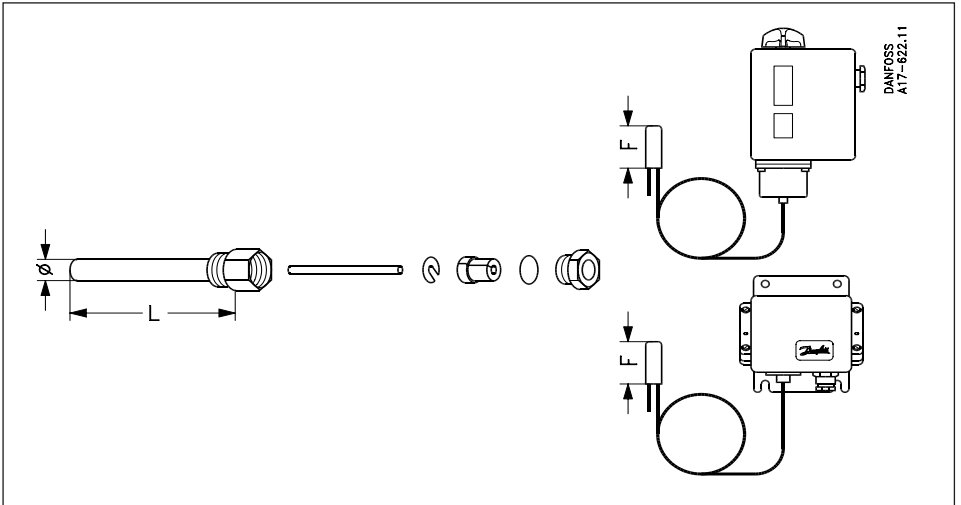
Installation guide

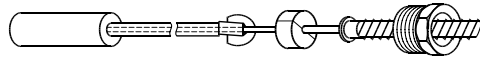
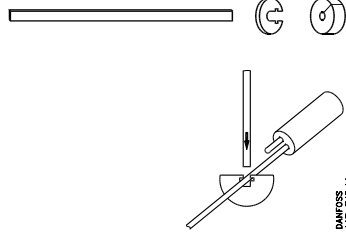
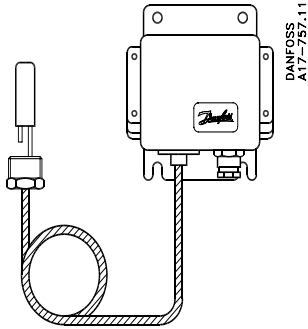
Sensor pocket

Types KPS, CAS, RT

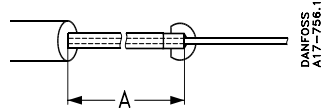
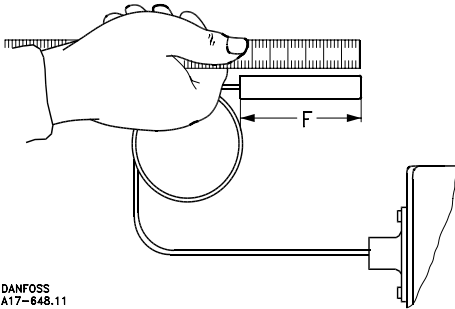
060R9307

060R9307





DANFOSS
A17-747.11



	L=65	L=75	L=110	L=160
F=47,5				
F=75	X	X		
F=85	X	X		

DANFOSS
A17-647.11