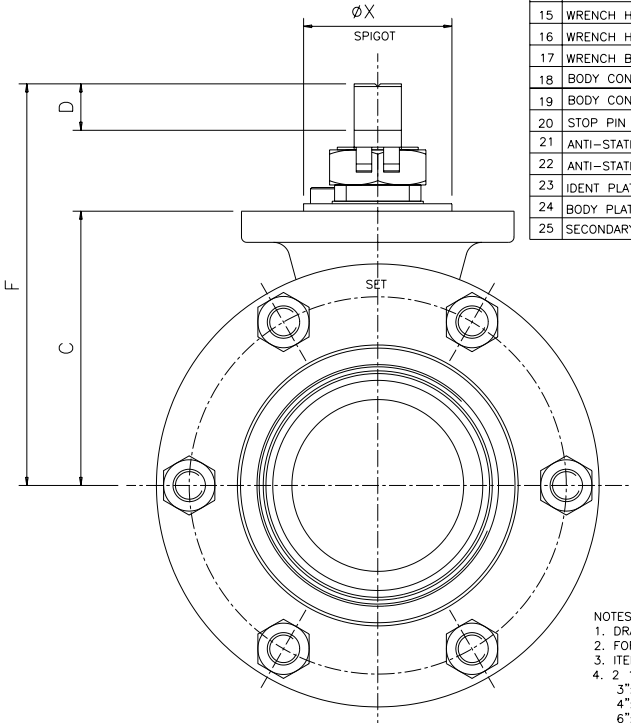
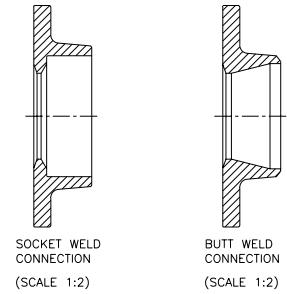
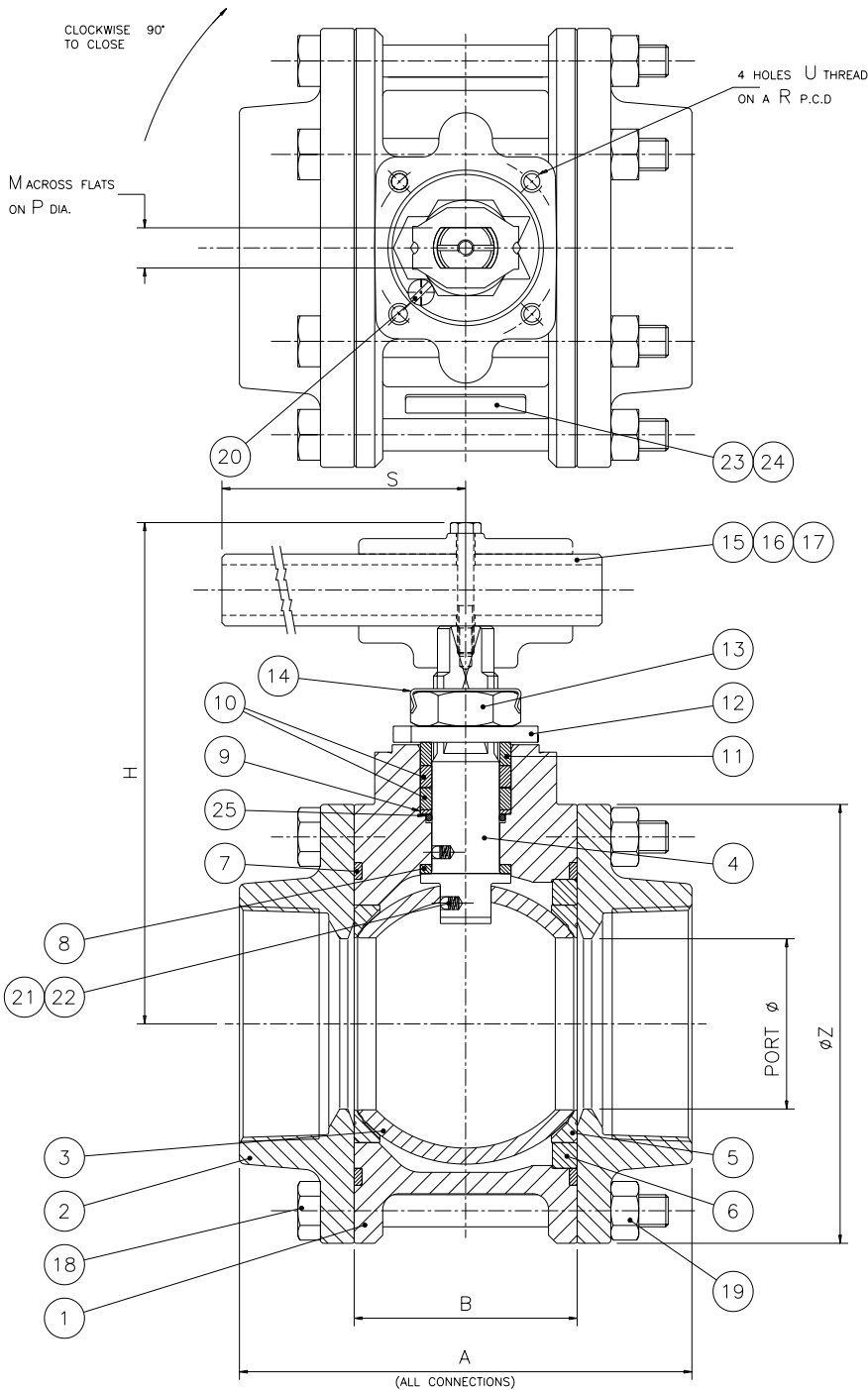


VALVE SIZE		VALVE DIMENSIONS IN mm														APPROX WEIGHT Kg	
MM	INS	PORT DIA	A	B	C	D MIN	F	H	M MAX	ØP MAX	R	S	U	ISO 5211/1	ØX		ØZ
65	2 1/2	51.1	148.9	72.68	87.3	-	129.9	156.2	14.0	20.0	70.0	225.0	M8	F07	54.97	148.0	8.9
80	3	64.2	169.2	83.38	101.6	16.8	151.4	188.0	15.1	21.2	70.0	350.0	M8	F07	54.97	164.0	13.9
100	4	76.4	213.8	100.0	119.5	21.0	173.9	213.8	19.3	27.2	102.0	557.0	M10	F10	69.97	196.0	20.8
150	6	102.2	296.4	134.0	146.8	28.2	218.4	275.4	26.6	33.2	125.0	850.0	M12	F12	84.97	256.0	50.8



ITEM No	DESCRIPTION	MATERIAL	QTY
1	BODY	ST. STEEL ASTM A351 CF8M/ASTM A451 CPF8M	1
2	CONNECTOR	ST. STEEL ASTM A182 F316L S 0.015 % MIN.	2
3	BALL	STAINLESS STEEL ASTM A351 CF8M	1
4	STEM	STAINLESS STEEL BS970 316S31/S33	1
5	SEAT RING *	T PTFE VIRGIN R PTFE 15% GLASS FILLED P FLUOROFILL REINFORCED	2
6	SEAT RING RETAINER	ST. STEEL ASTM A351 CF8M/ASTM A451 CPF8M	1
7	BODY SEAL *	VIRGIN PTFE	2
8	THRUST SEAL *	PTFE 25% GLASS FILLED	1
9	STEM LOCATION WASHER	STAINLESS STEEL BS1449 PL2 316S31/S33	1
10	GLAND PACKING *	FLEXIBLE GRAPHITE (NOTE 65mm HAS 1 OFF)	2
11	GLAND	STAINLESS STEEL 316	1
12	INDICATOR STOP/SPACER	ST. STEEL BS1449 PART 2 316S31 OR 316S33	1
13	STEM NUT	STAINLESS STEEL	1
14	LOCKING CLIP *	CARBON SPRING STEEL BS1449 PL1 CS70 ZINC PLATED	1
15	WRENCH HEAD	CARBON STEEL BS1706 ZINC PLATED	1
16	WRENCH HANDLE	CARBON STEEL BS1706 ZINC PLATED	1
17	WRENCH BOLT	STAINLESS STEEL	1
18	BODY CONNECTOR BOLT	STAINLESS STEEL	SEE NOTES
19	BODY CONNECTOR NUT	STAINLESS STEEL	SEE NOTES
20	STOP PIN	STAINLESS STEEL	1
21	ANTI-STATIC PLUNGER	STAINLESS STEEL	2
22	ANTI-STATIC SPRING	NICKEL ALLOY WIRE BS3075 NA14	2
23	IDENT PLATE	STAINLESS STEEL	1
24	BODY PLATE	STAINLESS STEEL	1
25	SECONDARY STEM SEAL *	PTFE VIRGIN (RUBBER O-RING OPTIONAL)	1

END CONNECTOR VARIANTS.

THREADED CONNECTIONS.
 BODY CONNECTORS SCREWED FEMALE TO THE FOLLOWING THREAD SPECIFICATIONS:-
 NPT ANSI B1.20.1 (NPT)
 BSPT ISO R/7.BS 21 (Rc)
 BSPP ISO R/7.BS 21 (Rp)

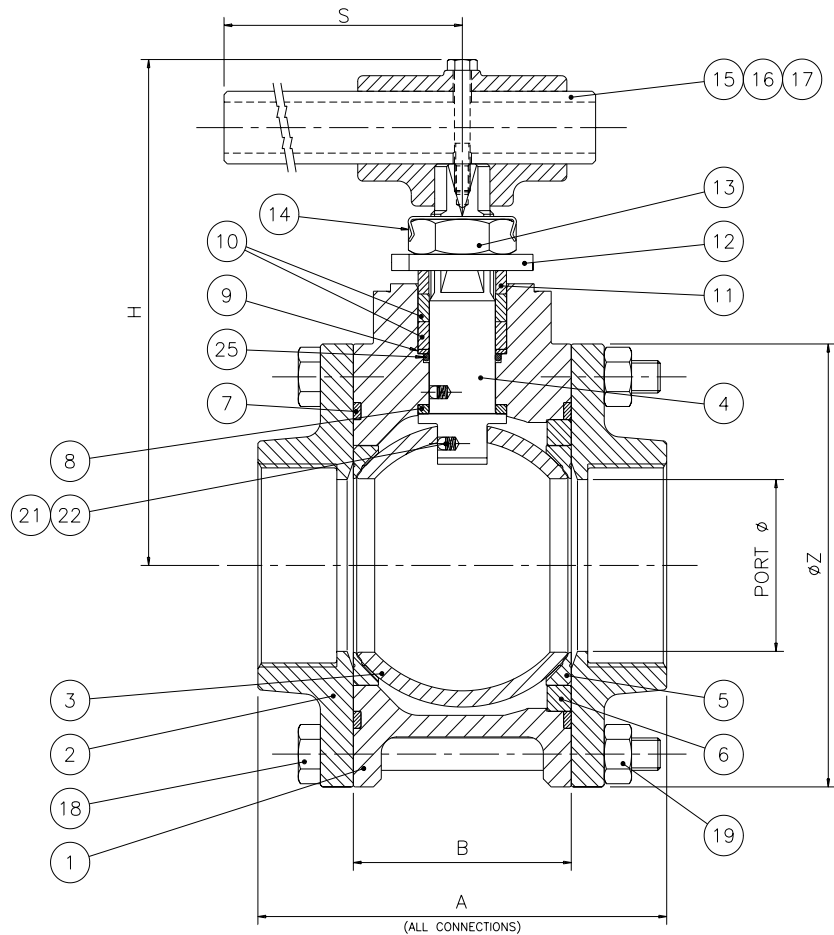
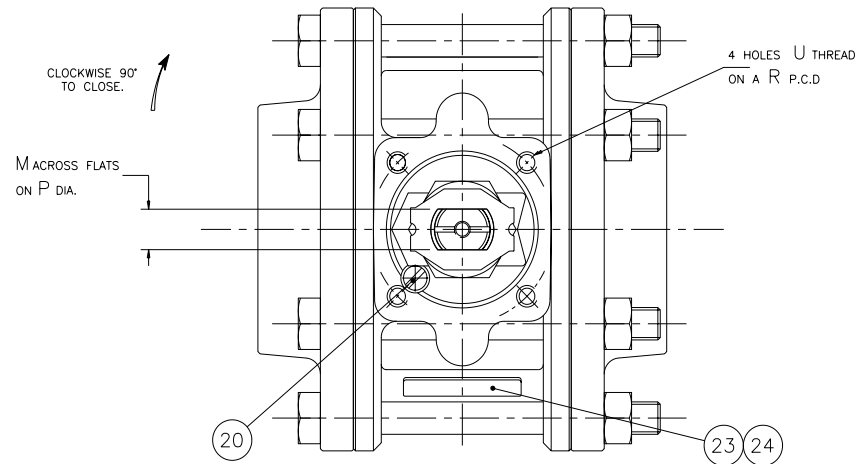
SOCKET WELD CONNECTIONS.
 BODY CONNECTORS BORED SUITABLE FOR ACCEPTING PLAIN END PIPE TO THE FOLLOWING SPECIFICATIONS:-
 BS 1600 API 5L BS 3600

BUTT WELD CONNECTIONS.
 BODY CONNECTORS PREPARED IN ACCORDANCE WITH RELEVANT MATL.SPEC & ASME CODE SECTION IX. FOR BUTT WELDING PIPE TO THE FOLLOWING SPECIFICATIONS:-
 API 5L BS 1600 SCHEDULES 80/40/10/5

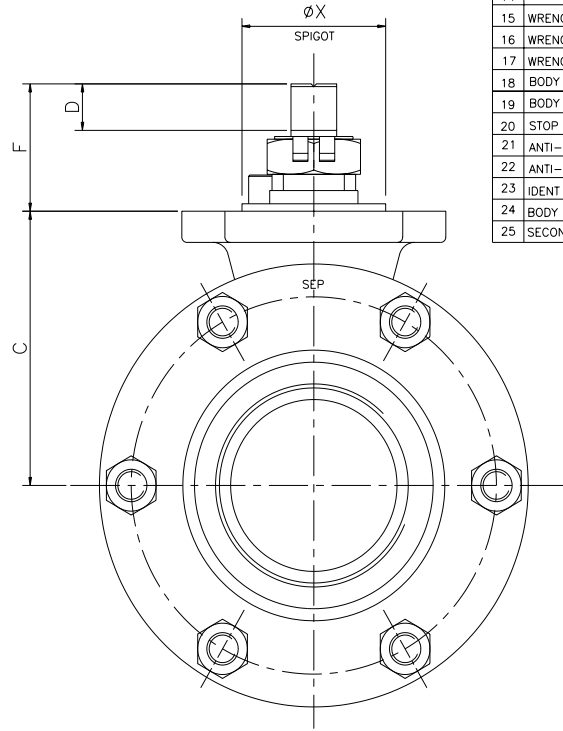
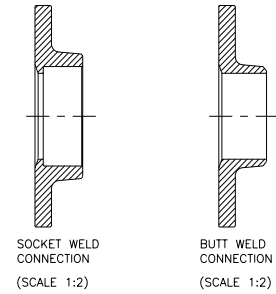
- NOTES.
- DRAWING SHOWS A 80mm VALVE WITH BSPT THREADED CONNECTOR.
 - FOR ACTUATED VALVES ITEMS 15,16,17 & 20 ARE OMITTED.
 - ITEMS MARKED THUS * DENOTE COMPONENTS SUPPLIED IN REPAIR KIT.
 - 2 1/2": QTY.6 x M12 BOLTS & NUTS ON 125.0mm P.C.D.
 - 3": QTY.6 x M12 BOLTS & NUTS ON 139.7mm P.C.D.
 - 4": QTY.8 x M12 BOLTS & NUTS ON 172.6mm P.C.D.
 - 6": QTY.8 x M16 STUDS & 16 x M16 NUTS ON 224.0mm P.C.D.

A459 65-150mm





VALVE SIZE		VALVE DIMENSIONS IN mm															
MM	INS	PORT DIA	A	B	C	D MIN	F	H	M MAX	ØP MAX	R	S	U	ISO 5211/1	ØX MAX	ØZ	APPROX WEIGHT Kg
50	2	51.1	148.9	72.68	87.3	-	42.6	156.2	14.0	20.0	70.0	225.0	M8	F07	54.97	148.0	8.9
65	2 1/2	64.2	156.4	83.38	101.6	16.8	49.8	188.0	15.1	21.2	70.0	350.0	M8	F07	54.97	164.0	13.9
80	3	76.4	191.5	100.0	119.5	21.0	54.4	213.8	19.3	27.2	102.0	557.0	M10	F10	69.97	196.0	20.8
100	4	102.2	298.4	134.0	146.8	28.2	71.6	275.4	26.6	33.2	125.0	850.0	M12	F12	84.97	256.0	50.8



ITEM No	DESCRIPTION	MATERIAL	QTY
1	BODY	ST. STEEL ASTM A351 CF8M/ASTM A451 CPF8M	1
2	CONNECTOR	ST. STEEL ASTM A182 F316L S 0.015 % MIN.	2
3	BALL	STAINLESS STEEL 316	1
4	STEM	STAINLESS STEEL BS970 316S31/S33	1
5	SEAT RING *	T PTFE VIRGIN R PTFE 15% GLASS FILLED P FLUOROFILL REINFORCED	2
6	SEAT RING RETAINER	ST. STEEL ASTM A351 CF8M/ASTM A451 CPF8M	1
7	BODY SEAL *	VIRGIN PTFE	2
8	THRUST SEAL *	PTFE 25% GLASS FILLED	1
9	STEM LOCATION WASHER	STAINLESS STEEL BS1449 Pt.2 316S31/S33	1
10	GLAND PACKING *	FLEXIBLE GRAPHITE (NOTE 50mm HAS 1 OFF)	2
11	GLAND	STAINLESS STEEL 316	1
12	INDICATOR STOP/SPACER	ST. STEEL BS1449 PART 2 316S31 OR 316S33	1
13	STEM NUT	STAINLESS STEEL	1
14	LOCKING CLIP *	CARBON SPRING STEEL BS1449 PL1 CS70 ZINC PLATED	1
15	WRENCH HEAD	CARBON STEEL BS1706 ZINC PLATED	1
16	WRENCH HANDLE	CARBON STEEL BS1706 ZINC PLATED	1
17	WRENCH BOLT	STAINLESS STEEL	1
18	BODY CONNECTOR BOLT	STAINLESS STEEL	SEE NOTES
19	BODY CONNECTOR NUT	STAINLESS STEEL	SEE NOTES
20	STOP PIN	STAINLESS STEEL	1
21	ANTI-STATIC PLUNGER	STAINLESS STEEL	2
22	ANTI-STATIC SPRING	NICKEL ALLOY WIRE BS3075 NA14	2
23	IDENT PLATE	STAINLESS STEEL	1
24	BODY PLATE	STAINLESS STEEL	1
25	SECONDARY STEM SEAL *	PTFE VIRGIN (RUBBER O-RING OPTIONAL)	1

END CONNECTOR VARIANTS.

THREADED CONNECTIONS.
 BODY CONNECTORS SCREWED FEMALE TO THE FOLLOWING THREAD SPECIFICATIONS:-
 NPT ANSI B1.20.1 (NPT)
 BSPT ISO R/7.BS 21 (Rc)
 BSPP ISO R/7.BS 21 (Rp)

SOCKET WELD CONNECTIONS.
 BODY CONNECTORS BORED SUITABLE FOR ACCEPTING PLAIN END PIPE TO THE FOLLOWING SPECIFICATIONS:-
 BS 1600 API 5L BS 3600

BUTT WELD CONNECTIONS.
 BODY CONNECTORS PREPARED IN ACCORDANCE WITH RELEVANT MATL.SPEC & ASME CODE SECTION IX. FOR BUTT WELDING PIPE TO THE FOLLOWING SPECIFICATIONS:-
 API 5L BS 1600 SCHEDULES 80/40/10/5

- NOTES.
- DRAWING SHOWS A 65mm VALVE WITH BSPP THREADED CONNECTOR.
 - FOR ACTUATED VALVES ITEMS 15,16,17 & 20 ARE OMITTED.
 - ITEMS MARKED THUS * DENOTE COMPONENTS SUPPLIED IN REPAIR KIT.
 - 2": QTY:6 x M12 BOLTS & NUTS ON 125.0mm P.C.D.
 2 1/2": QTY:6 x M12 BOLTS & NUTS ON 139.7mm P.C.D.
 3": QTY:8 x M12 BOLTS & NUTS ON 172.6mm P.C.D.
 4": QTY:8 x M16 STUDS & 16 x M16 NUTS ON 224.0mm P.C.D.

A599 50-100mm

